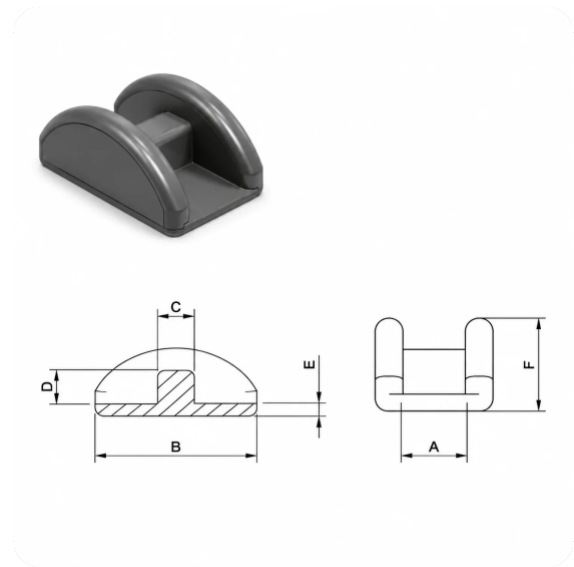




DRM - LMA - PRFL

DRM-LMA-PRFL

DRM-LMA-PRFL is a professional plastic connector specifically designed for oval profile stem legs, manufactured according to the specified technical dimensions. Its integrated locking slots allow the insert to be securely press-fitted onto the profile stem, providing a stable and reliable connection.



DESCRIPTION

The insert ensures a precise fit between the profile leg and the stem, improving assembly strength while simplifying installation. Its durable plastic construction offers long-lasting performance and gives the finished furniture a clean and professional appearance.

DRM-LMA-PRFL is widely used in office furniture, table systems, chair legs and various metal furniture applications utilizing oval profile stem legs, providing secure assembly, durability and ease of installation.

	A	B	C	D	E	F
6X22 mm	6	22	4.8	5	2	10.5
6X30 mm	6	30	5	6.6	2	12.5
8x16 mm	8	16	4.8	5	3	9.5
8x22 mm	8	22	5	5	2	10.5
8x30 mm	8	30	5.2	6.3	4.5	14
10x22 mm	10	22	5	5.2	3	10

DISCLAIMER

The information contained in this Technical Data Sheet is based on laboratory testing, practical experience and current knowledge at the time of publication. The values provided are intended as general guidance and may vary depending on application methods, operating conditions, substrates, environmental factors and production processes.

Since the conditions of use and application are beyond our control, customers are responsible for determining the suitability of the product for their specific application through their own testing and evaluation. The information provided does not constitute a warranty or guarantee of product performance in any particular application.

Product specifications, formulations and technical data may be modified without prior notice as part of continuous product development and improvement programs. The latest version of this document supersedes all previous editions.

For additional technical information, application recommendations or specific processing conditions, please contact our technical service department.

