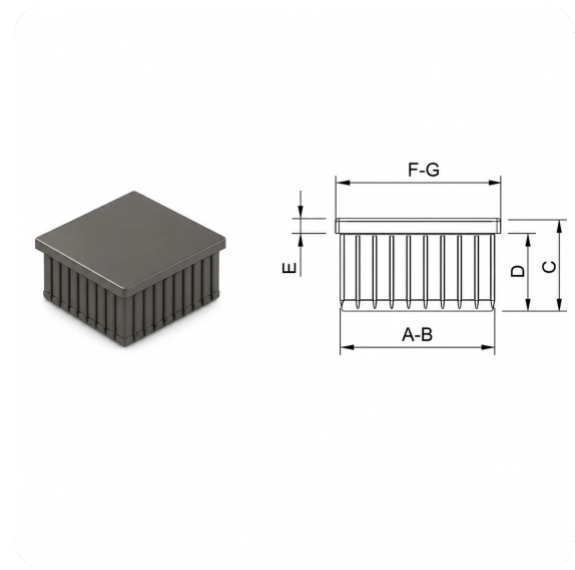




DRM-KARE-PRFL-TAPA

DRM-KARE-PRFL-TAPA

DRM-KARE-PRFL-TAPA (Square Profile End Cap) is a professional plastic profile insert manufactured according to the specified technical dimensions and designed to fit the most common square metal tube profiles available on the market. Its press-fit design allows quick and secure installation inside square profile tubes.



DESCRIPTION

The end cap protects open profile ends from impact, dust, moisture and deformation while providing furniture and metal structures with a clean, professional finish. Its durable construction ensures a tight fit inside the profile, preventing loosening and extending the service life of the product.

DRM-KARE-PRFL-TAPA is an ideal solution for office furniture, tables, chairs, metal structures, industrial equipment and numerous applications utilizing square metal profiles, delivering durability, aesthetics and long-lasting protection.

	A	B	C	D	E	F	G
15x15x1mm	13.2	13.2	14	9.8	4.2	15	15
20x20x1,2mm	17.8	17.8	17.3	13.5	3.8	20	20
20x20x1,5mm	17.3	17.3	20.15	16.8	3.3	20	20
25x25x1mm	23	23	23.6	19.3	4.3	25	25
30x30x1,2mm	27.8	27.8	16.3	12.5	4	30	30
40x40x1,2mm	37.8	37.8	18.5	14.5	4	40	40
70x70x3mm	64	64	26	22	4	70	70
100x100x2mm	96	96	34.1	29.1	5	100	100

DISCLAIMER

The information contained in this Technical Data Sheet is based on laboratory testing, practical experience and current knowledge at the time of publication. The values provided are intended as general guidance and may vary depending on application methods, operating conditions, substrates, environmental factors and production processes.

Since the conditions of use and application are beyond our control, customers are responsible for determining the suitability of the product for their specific application through their own testing and evaluation. The information provided does not constitute a warranty or guarantee of product performance in any particular application.

Product specifications, formulations and technical data may be modified without prior notice as part of continuous product development and improvement programs. The latest version of this document supersedes all previous editions.

For additional technical information, application recommendations or specific processing conditions, please contact our technical service department.

